

HOWARD WRIGHT 
M9 COMPACT BED



A fully featured bed designed for hospitals with limited space.

An outstanding low height of 350mm makes patient entry and exit safer and easier while the exceptional under bed clearance provides full access for patient lifters and bed movers at any bed height.

The M9 Compact Bed has been developed and independently tested to the requirements of the latest and most demanding international safety standards.

The M9 Compact Bed is shorter for hospitals with tight spaces but features an integrated bed extension to accommodate taller patients. Customising to your unique requirements is easy with options and accessories.

FEATURES

- Fully electric, lockable functions with battery backup
- An integrated bed extension for taller patients
- High quality LINAK and TENTE components
- 16° Trendelenburg / 13.5° Reverse Trendelenburg
- Effortless central locking braking
- Sliding backrest provides added patient comfort

OPTIONS AND ACCESSORIES

- Linen rack
- Bed mover push bar (compatible with most bed movers)
- PREMA Compact Mattress
- Attendant control handset with lockout and underbed light
- Residual current device (RCD)
- A full range of Howard Wright accessories is available

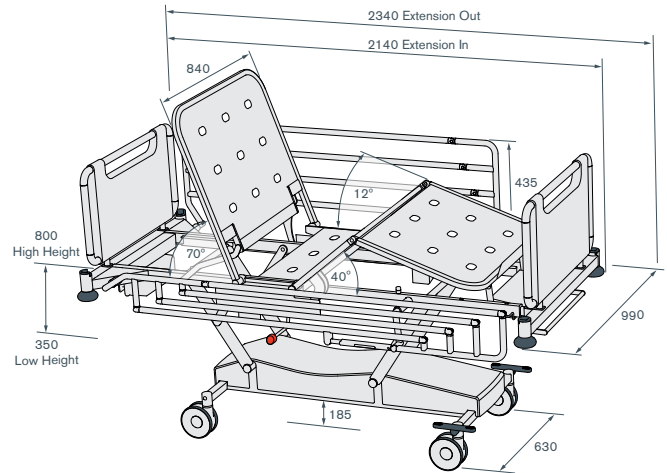




Bed extension with bolster mattress



350mm low height



SPECIFICATIONS

MODEL:	M9 Compact Bed
IP RATING:	IPX4
EEC CLASSIFICATION:	Class 1, Non-invasive
MAXIMUM SWL:	250kg (incl. patient and accessories)
BED MASS:	130kg (incl. siderails and bed ends)

- Durable powdercoated steel structure with 4 large soft corner buffers
- An integrated bed extension for taller patients
- LINAK electric system with 4 actuators. Approved to IEC 60601-1:2005
- Power input: 220-240 VAC, 50-60 Hz, 2.0 A max Power output: 24 VDC
- Head bed end storage at the foot end
- Easy access control box with power cord storage
- Dual drainage bag rails
- Backrest and legraise have safety spline
- Potential equalisation terminal
- Central locking braking with 2 brake pedals and 1 steer castor
- 4 accessory sockets
- CPR quick release backrest (dampened)

OPTIONS

- Standard Handset or Attendant control handset with lockout and underbed light
- Bed mover push bar (compatible with most bed movers)
- Residual current device (RCD)
- Linen rack

SAFETY COMPLIANCE

- Developed in accordance with the requirements of EN IEC60601-2-52:2010

DIMENSIONS

- Overall (incl. corner buffers): L: 2140-2340mm, W: 990mm
 - Mattress platform: L: 1900-2100mm, W: 840mm
 - Siderail: L: 1585mm, H: 435mm (above mattress platform)
 - Space between siderail bars: 92 mm (25mm when lowered)
 - Space between head end and siderail: 44mm
 - Corner buffer diameter: 90mm
 - Wheel base: 1200mm, wheel track: 630mm
 - Castor diameter: 150mm dual wheel Linea castors
 - Maximum deck height: 800mm, minimum deck height: 350mm
 - Linear translation as bed raises and lowers: 0mm
 - Trendelenburg 16°, reverse Trendelenburg 13.5°
 - Maximum backrest angle: 70°
 - Maximum upper legraise angle: 40° Maximum lower legraise angle: 12°
- (All angular dimensions are with reference to horizontal)

UNDER BED CLEARANCES (FOR PATIENT LIFTERS & BED MOVERS)

- Bogie to floor: 185mm
- Elevator to floor at lowest height: 140mm

www.howardwrightcares.co.uk



Design and Development, Production, Sales, Distribution and Servicing of Medical Beds, Stretchers and Accessories

Howard Wright Limited has a policy of continuous product improvement and reserves the right to change product specifications without notice. Howard Wright Limited is certified to ISO13485:2016.

