



## Fully electric functions for fast, safe and effortless trauma care.

The M9 Trauma is fully electric to reduce manual handling with a contouring radiolucent deck for full length X-ray imaging. Robust, high quality components have proven reliability in demanding ED environments.

Developed in accordance with the hospital bed standard EN IEC60601-2-52:2010, the M9 Trauma ensures the safety of both patients and caregivers.

Designed using our 'Simple, Smart and Human' values, minimal maintenance and user instruction is required. Customising to your unique needs is easy with an extensive range of specialist options and accessories.

### FEATURES

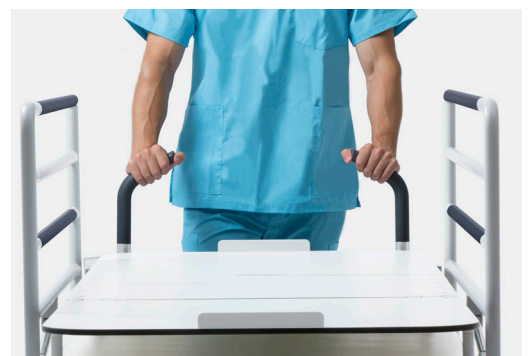
- Fully electric, lockable functions with battery backup
- Generous 2000mm x 700mm X-ray patient platform
- Class leading 430mm low height and 880mm high height
- 250kg Safe Working Load (SWL)
- Permanently attached, fold down IV pole
- Effortless central locking brakes with 5th wheel steering

### OPTIONS AND ACCESSORIES

- Radiolucent patient platform (4-section or 2-section)
- Radiolucent pressure relieving mattress (100mm or 125mm thickness)
- Multiple O<sub>2</sub> cylinder carrier sizes available
- Plug in foot end with push handles and monitor tray
- Chest and C-spine X-ray cassette holders
- A full range of Howard Wright accessories is available

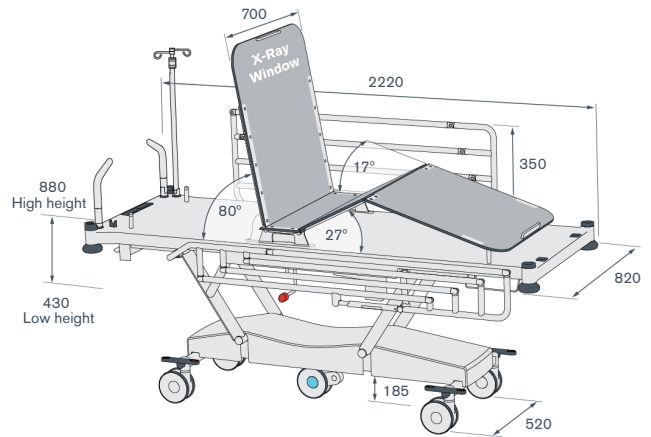


M9 Trauma Stretcher, 2-section option





Fully electric height and patient positioning



**SPECIFICATIONS**

|                            |                                       |
|----------------------------|---------------------------------------|
| <b>MODEL:</b>              | <b>M9 Trauma</b>                      |
| <b>IP RATING:</b>          | IPX4                                  |
| <b>EEC CLASSIFICATION:</b> | Class 1, Non-invasive                 |
| <b>MAXIMUM SWL:</b>        | 250kg (incl. patient and accessories) |
| <b>BED MASS:</b>           | 130kg (incl. siderails and bed end)   |

- Durable powdercoated steel structure with fully radiolucent mattress platform
- Large soft corner buffers and accessory sockets at all four corners
- LINAK electric system with 4 actuators
- Power input: 220-240 VAC, 50-60 Hz, 2.0 A max Power output: 24 VDC
- Lift assist easy-clean siderails
- Integrated two position, ergonomic fold away push handles
- Easy access control box with power cord storage
- Dual drainage bag rails
- Backrest and legraise have safety spline
- Potential equalisation terminal
- Central locking braking via 4 brake pedals and 5th wheel steering
- Fixed, fold down IV pole extending up to 1480mm above mattress platform
- CPR quick release backrest (dampened)

**OPTIONS**

- Radiolucent patient platform with or without leg raise (4-section or 2-section)
- Radiolucent pressure reducing mattress (100mm or 125mm thickness)
- Central locking braking via 2 brake pedals and 1 steer castor
- HX/F size oxygen bottle carrier
- A full range of Howard Wright accessories

**SAFETY COMPLIANCE**

- Developed in accordance with the requirements of ENIEC60601-2-52:2010

**DIMENSIONS**

- Overall (incl. corner buffers): L: 2220mm, W: 820mm
  - Mattress platform: L: 2000mm, W: 700mm
  - Backrest length: 800mm
  - Legrest length: 1200mm (2-section deck)
  - Siderail: L: 1315mm, H: 350mm (above mattress platform)
  - Space between siderail bars: 92 mm (25mm when lowered)
  - Wheel base: 1300mm, wheel track: 520mm
  - Castor diameter: 150mm dual wheel
  - Maximum deck height: 880mm, minimum deck height: 430mm
  - Linear translation as bed raises and lowers: 0mm
  - Trendelenburg 16°, reverse Trendelenburg 13.5°
  - Maximum backrest angle: 80°
  - X-ray window: 1970mm x 600mm
  - Maximum upper legraise angle: 27° (4-section leg raise deck)
  - Maximum lower legraise angle: 17° (4-section leg raise deck)
- (All angular dimensions are with reference to horizontal)

**UNDER CARRIAGE CLEARANCES (FOR PATIENT LIFTERS & BED MOVERS)**

- Elevator to floor at lowest height: 140mm
- Base to floor: 185mm

[www.howardwrightcares.co.uk](http://www.howardwrightcares.co.uk)



Design and Development, Production, Sales, Distribution and Servicing of Medical Beds, Stretchers and Accessories

© Howard Wright Limited, 2019

Howard Wright Europe Limited has a policy of continuous product improvement and reserves the right to change product specifications without notice. Howard Wright Limited is certified to ISO13485:2016.

